

SF SERIES - SIDE INTAKE FILTERED FRESH AIR SUPPLY UNITS



SF series fresh air supply units are ideal for commercial applications such as kitchens, restaurants, schools, apartments and office buildings. They also provide an economical and practical solution to meet NFPA 96 separation requirements between supply & exhaust air streams in commercial kitchen applications.

FEATURES

- Flexible forward curved belt drive blowers operate at low speed and low noise levels.
- Galvanized steel housing.
- Heavy duty ball bearings suitable for -65° to +250° F.
- Weather proof cabinet designed for outdoor roof mounting.
- Filters designed with large surface area for efficient filtration.
- Washable aluminum mesh filter are located in the intake hood and are accessible through the hood end cap for ease of service.
- Easy on-site addition of customer supplied air supply duct extension between the intake hood and unit provides additional separation where necessary.

PERFORMANCE SPECIFICATIONS

MODEL	VOLTS	HP	FRAME	RPM RANGE	PERFORMANCE						SONES
					CFM	SP	RPM	BHP	FEI	FEP	
1 phase											
SF8	115/230	1	56	513 - 697	2500	1/8"	578	0.50	0.92	0.53	16.1
					2700	1/8"	615	0.62	0.84	0.64	18.2
					3000	1/8"	671	0.83	0.75	0.83	21
SF9	115/230	1 1/2	56	798 - 1054	2500	1"	915	1.02	1.01	0.99	26
					2700	1"	935	1.18	0.96	1.14	27
					3000	1"	969	1.45	0.89	1.37	29
SF10	115/230	1 1/2	56	513 - 697	3500	1/8"	560	0.78	0.82	0.78	21
					3750	1/8"	593	0.94	0.76	0.92	23
					4000	1/8"	626	1.12	0.71	1.09	25
					4100	1/8"	640	1.20	0.69	1.16	26
SF11	208/230	3	182	729 - 895	4500	1/2"	808	2.04	0.68	1.88	21
					5200	1/2"	888	2.87	0.83	1.88	25
3 phase											
SF8-3PH	230/460	1	56	513 - 697	2500	1/8"	578	0.50	0.96	0.510	16.1
					2700	1/8"	615	0.62	0.87	0.620	18.2
					3000	1/8"	671	0.83	0.77	0.800	21
SF9-3PH	230/460	1 1/2	56	798 - 1054	2500	1"	915	1.02	1.03	0.980	26
					2700	1"	935	1.18	0.97	1.12	27
					3000	1"	969	1.45	0.90	1.36	29
SF10-3PH	230/460	1 1/2	56	513 - 697	3500	1/8"	560	0.78	0.83	0.77	21
					3750	1/8"	593	0.94	0.77	0.91	23
					4000	1/8"	626	1.12	0.72	1.07	25
					4100	1/8"	640	1.20	0.70	1.14	26
SF11-3PH	230/460	3	182	729 - 895	4500	1/2"	808	2.04	0.69	1.85	21
					5200	1/2"	888	2.87	0.61	2.56	25



EASY TO SERVICE. LATCHED TOP COVER PROVIDES CONVENIENT ACCESS TO MOTOR, PULLEYS AND BELT.

MODEL	VOLTS	HP	FRAME	RPM RANGE	CFM	SP	RPM	BHP	Sones
SF5	1 phase 115/230V	1/3	48	431-646	900	1/8"	437	0.08	6.9
					1300	1/8"	541	0.17	10.8
					1000	1/8"	462	0.1	7.9
SF5-3PH	3 phase 230/460V	1/3	56		1450	1/8"	583	0.22	13
					1600	1/8"	626	0.28	15.4
SF7	1 phase 115/230V	3/4	56	690-1035	400	1"	964	0.16	25
					1300	1"	1008	0.47	27
SF7-3PH	3 phase 230/460V				1450	1"	1028	0.56	28
					2200	1/8"	811	0.67	26



NAKS certifies that the SF Series shown herein are licensed to bear the AMCA Seal. The ratings shown are based on tests and procedures performed in accordance with AMCA Publications 211 & 311 and comply with the requirements of the AMCA Certified Ratings Programme.

The AMCA certified ratings seal applies to air and sound performance only. The SF Series shown herein are not approved by AMCA for FEI ratings.

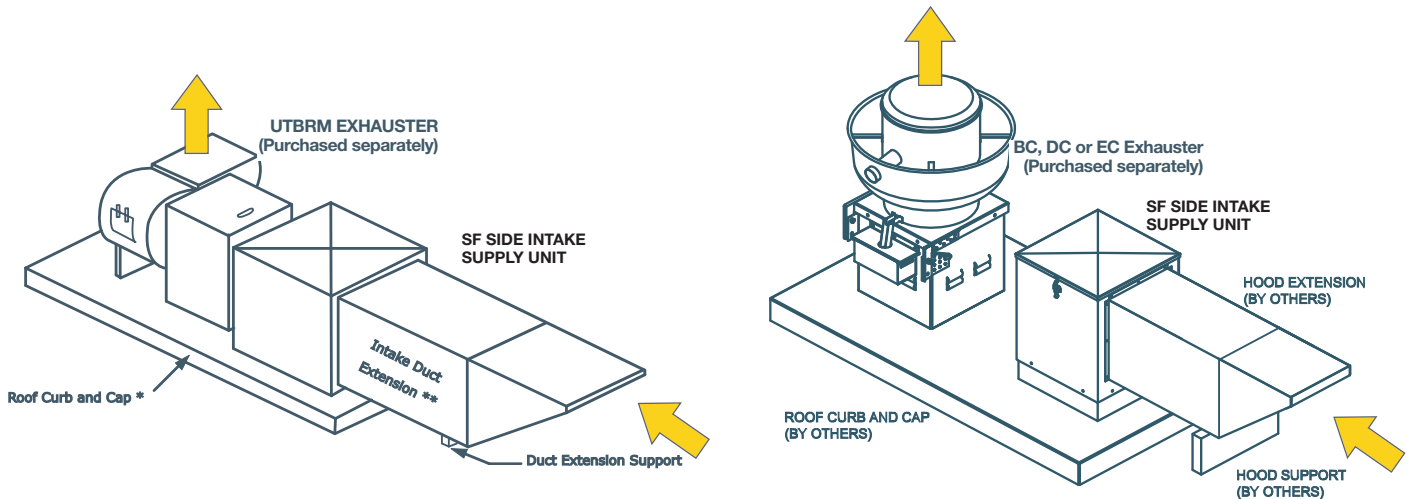
ACCESSORIES

- Roof curbs
- Disconnects
- Frequency Drives



SF SERIES - SIDE INTAKE FILTERED FRESH AIR SUPPLY UNITS

TYPICAL INSTALLATION



DIMENSIONS

MODEL	A	B	D	E	F	G	H	L	M	Z	FILTERS		*INSIDE CABINET	Net Weight (lbs)	Curb OD Dimension sq (12" high)
											SIZE	QUANTITY			
SF5 / SF7	22"	24"	11 7/8"	13 1/4"	4 7/16"	3 1/4"	6 7/8"	19 3/8"	18 1/8"	19 7/8"	16" x 25" x 1"	1	21 7/8" x 21 7/8"	92	19.5"
SF8 / SF9	32"	32"	13 3/4"	15 7/8"	8 1/16"	9 1/4"	9"	25"	24 5/8"	25"	16" x 25" x 1"	2	31 7/8" x 31 7/8"	130	30.5"
SF10 / SF11	32"	32"	16 1/8"	18 7/8"	6 9/16"	6 7/8"	9"	25"	24 5/8"	25"	16" x 25" x 1"	2	31 7/8" x 31 7/8"	140	30.5"

* Curb size to be smaller than inside cabinet to allow for flashing and roofing.

