



**Intake Hood
(Snorkel Included)**

INLINE OUTDOOR SFI SERIES

Single Forward Curved Inline Duct Blowers

SFI SERIES Heavy duty, Insulated Outdoor



Canarm certifies that the 200 & 9200 Series shown herein are licensed to bear the AMCA Seal. The ratings shown are based on tests and procedures performed in accordance with AMCA Publications 211 & 311 and comply with the requirements of the AMCA Certified Ratings Programme.

The AMCA certified ratings seal applies to air and sound performance only. The SFI Series shown herein are not approved by AMCA for FEI ratings.

- As part of an HVAC system SFI Duct Blowers will not “surge”, “hunt”, or “stall”.
- Quiet forward curved blowers operate at ½ the rpm of other inline solutions.
- SFI is an outdoor series.

FEATURES

- **Wheel Diameters:** 9” through 15”
- **CFM:** Approximately 500 to 4,400 CFM in a single blower.
- Constructed from cold rolled steel, with grey baked on powder coat. The outdoor unit uses protective galvaneal steel under the powder coat.
- Forward Curved blowers operate at low RPM for low noise levels.
- Heavy duty ball bearings suitable for -65° F to +250° F.
- Keywayed shafts both ends for clockwise or counter clockwise rotation.
- Saddle type motor mounting platform provides extended belt tension adjustment range on all models.

PERFORMANCE SPECIFICATIONS

MODEL	MOTOR				AIRFLOW (CFM) @ STATIC PRESSURE								MIN HP	MAX HP
	PHASE	VOLTS	HP	FRAME	1/8"		1/4"		3/8"		7/16"			
					CFM	BHP	CFM	BHP	CFM	BHP	CFM	BHP		
SFI5	1	115/230	1/3	48	1550	0.31	1425	0.27	1245	0.22	1030	0.16	1/6	1 1/2
SFI5-3PH	3	230/460	1/3	56										

MODEL	MOTOR					AIRFLOW (CFM) @ STATIC PRESSURE																				MIN HP	MAX HP
	PHASE	VOLTS	HP	FRAME	RPM	1/8"				1/4"				3/8"				1/2"				5/8"					
						CFM	BHP	FEI	FEPact (KW)	CFM	BHP	FEI	FEPact (KW)	CFM	BHP	FEI	FEPact (KW)	CFM	BHP	FEI	FEPact (KW)	CFM	BHP	FEI	FEPact (KW)		
SFI7	1	115/230	1	56	750	2155	0.48	0.96	0.52	2000	0.44	1.06	0.47	1820	0.38	1.21	0.42	1400	0.25	1.47	0.29	-	-	-	-	1/6	1 1/2
SFI8	1	115/230	1	56	757	3310	0.82	0.89	0.82	3030	0.25	2.45	0.29	2710	0.37	1.73	0.41	2300	0.51	1.22	0.54	1780	0.62	0.89	0.64	1/6	3
SFI9	1	115/230	1 1/2	56	547	4500	0.94	1.00	0.93	4030	0.80	1.12	0.80	3460	0.64	1.12	0.66	2450	0.41	1.46	0.45	-	-	-	-	1/3	5
SFI7-3PH	3	230/460	1	56	750	2155	0.48	0.99	0.50	2000	0.44	1.10	0.46	1820	0.38	1.25	0.41	1400	0.25	1.48	0.29	-	-	-	-	1/6	1 1/2
SFI8-3PH	3	230/460	1	56	757	3310	0.82	0.92	0.80	3030	0.25	2.46	0.30	2710	0.37	1.78	0.40	2300	0.51	1.27	0.52	1780	0.62	0.92	0.62	1/6	3
SFI9-3PH	3	230/460	1 1/2	56	547	4500	0.94	1.01	0.91	4030	0.80	1.14	0.79	3460	0.64	1.29	0.66	2450	0.41	1.43	0.46	-	-	-	-	1/3	5

Power rating (BHP) does not include transmission losses. Performance certified is for installation type B: Free inlet, Ducted outlet. Performance ratings do not include the effect of appurtenances (accessories).

INDUSTRIES SERVED

- Commercial HVAC
- Ventilation
- Heating
- Cooling
- Construction

TYPICAL APPLICATIONS FOR OUR INLINE BLOWERS

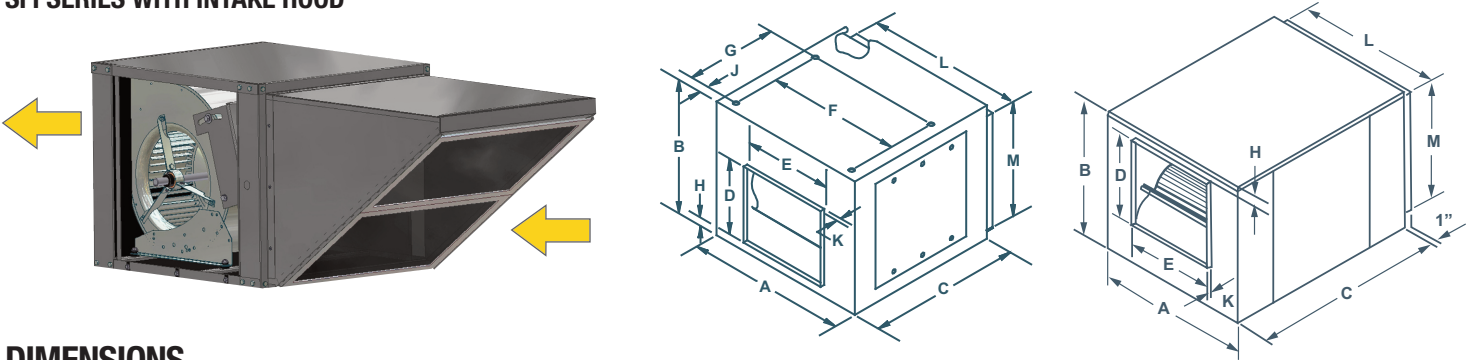
- An Inline make-up air solution for cases where a rooftop curb mounted solution is not available.
- As an air moving module for systems built up with other components such as heating/cooling coils.
- Noise sensitive areas - the low rpm forward curved wheel typically radiates less vibration than higher rpm backward inclined wheel solutions.
- When the application requires an air mover in a duct system located in a ceiling space.
- Redistribution or recirculation of air in a work space.

SFI SERIES

Single Forward Curved Inline Duct Blowers

FOR HORIZONTAL APPLICATIONS

SFI SERIES WITH INTAKE HOOD



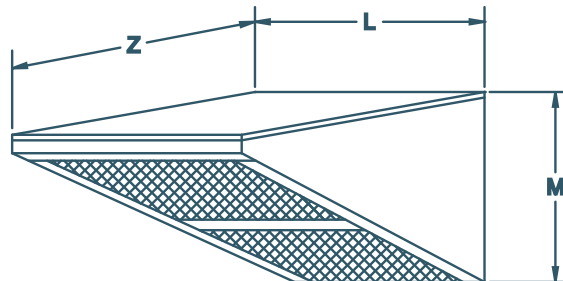
DIMENSIONS

MODEL	A	B	C	OUTLET		H	K	INLET		SHAFT DIA.	UNIT WEIGHT (with hood)
				D	E			L	M		
SFI5	21"	18"	23"	11 1/4"	12 3/4"	1"	1 1/8"	19"	16"	3/4"	95 lbs
SFI7	22 1/4"	20"	24 3/4"	12 3/8"	14 1/8"	1"	1 1/8"	20 1/4"	18"	3/4"	106 lbs
SFI8	30 1/8"	24 3/4"	34"	14 1/2"	16 5/8"	2 1/8"	1 1/8"	25 1/8"	21 1/8"	1"	200 lbs
SFI9	33 3/4"	28 5/8"	38 1/8"	17"	19 5/8"	2 1/8"	1 1/8"	30 5/8"	25 1/4"	1"	245 lbs

Note: Intake Hood (Snorkel) attached when shipped.

INTAKE HOODS

For SFI Series Duct Blowers (Included)



MODEL	L	M	Z	FILTER	
				SIZE	QTY
SFI5	19 1/4"	16 9/16"	21 1/4"	16" X 24"	1
SFI7	20 1/2"	18 9/16"	25 3/4"	15" X 20"	2
SFI8	25 3/8"	21 9/16"	30 3/4"	20" X 25 & 16" X 25"	2
SFI9	31 3/16"	25 13/16"	33 1/2"	20" X 28 1/2"	2